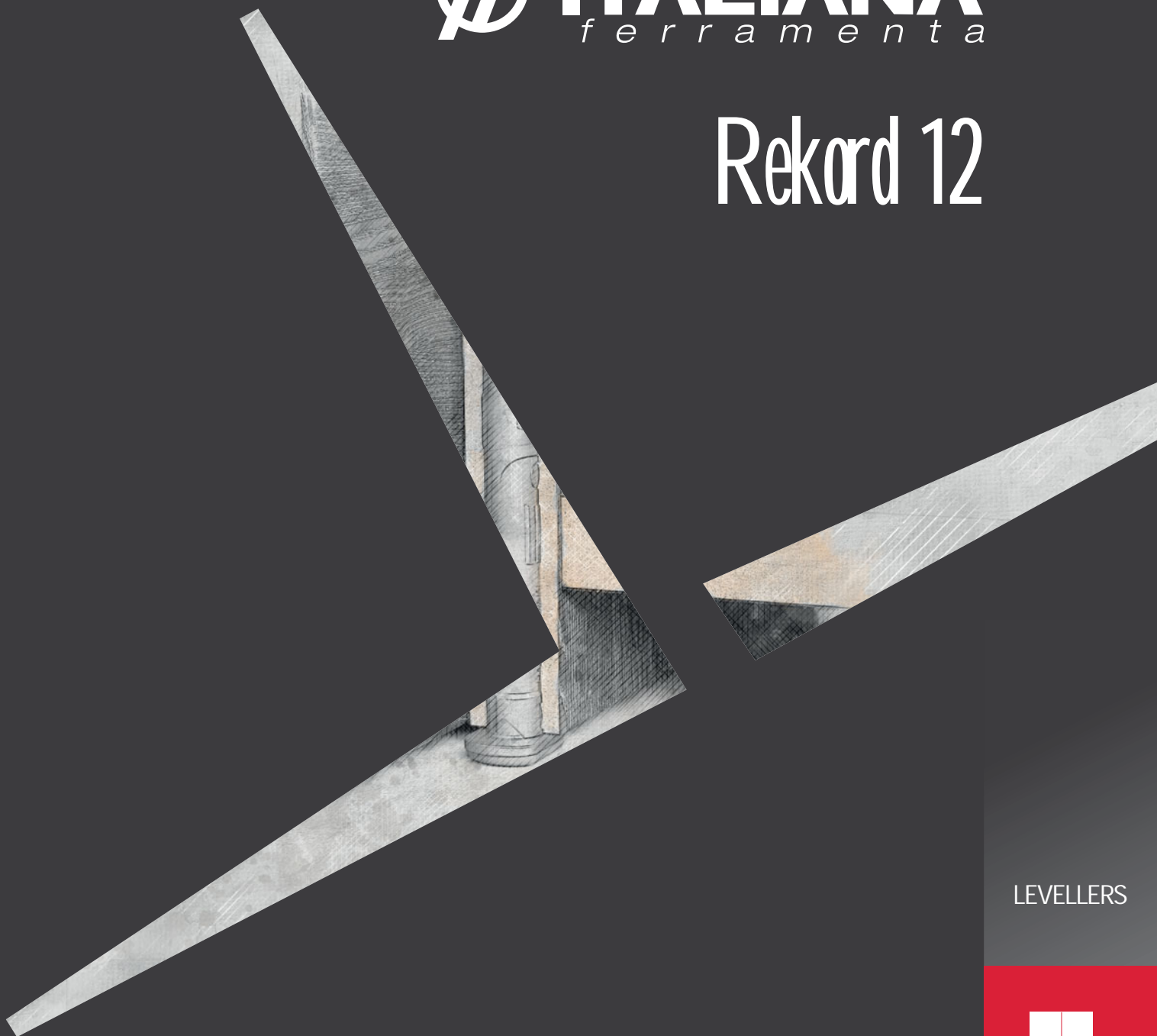




Rekord 12



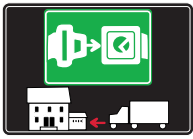
LEVELLERS





SYMBOLS AND FINISHES LEGEND

SYMBOLS



= SHELF SAFELY LOCKED DURING TRANSPORTATION AND AT HOME.



= ANTI-TURNOVER LOCKING SYSTEM



= NORMS / PATENTS



= PHILLIPS / POZIDRIV



= WITH BUFFER



= PART NO.



= BLADE SLOT



= WITH MAGNET



= PCS. PER PACKAGE



= COMBI SLOT



= NEWTON



= CAPACITY LOADING



= HEXALOBULAR SOCKET



= FRICTION



= WOOD / GLASS THICKNESS



= COUNTERSUNK HEAD



= AUTOMATIC



= HOLE DIAMETER



= PAN HEAD



= DROP DOWN



= DIAMETER



= FLANGE HEAD



= STANDARD HINGE



= LENGTH



= FLAT HEAD



= KIMANA HINGE



= HEIGHT



= TRILOBULAR SCREW



= FLAP HINGE



= RIGHT VERSION



= SELF-TAPPING SCREW



= WITH SPRING



= LEFT VERSION



= EURO THREAD



= WITHOUT SPRING



= SETTING CODE



= METRIC THREAD



= REVERSED SPRING



= PCS. PER PAD



= PRE-INSERTED SCREW



= PRE-INSERTED SCREW AND SPREADING BUSH



= CUT ON REQUEST



= WITH FLANGE



= SELF ADHESIVE

NOTE: Printing errors and omissions may exist despite our best efforts to ensure accuracy. We reserve the right to alter specifications without notice.

MATERIALS

ZA = Zinc Alloy

ST = Steel

HSS = High Speed Steel

BR = Brass

ABS = Acrylonitrile Butadiene Styrene

ZAnk = Nickel-plated Zinc Alloy

STzk = Zinc-plated Steel

AL = Aluminium

WD = Wood

EVA = Ethylene Vinyl Acetate

EP = **ENGINEERING PLASTIC**

+ **EP** = other engineering plastic available on request

SR = **SOFT RUBBER** + **SR** = other soft rubber available on request

EPn = Natural Engineering Plastic

EPc = Clear Engineering Plastic

SRn = Natural Soft Rubber

EPw = White Engineering Plastic

EPg = Grey Engineering Plastic

SRw = White Soft Rubber

EPwg = Water Green Engineering Plastic

EPa = Anthracite Engineering Plastic

SRb = Black Soft Rubber



FINISHES



+ **OTHER FINISHES AVAILABLE ON REQUEST**

PART NO.	FINISHES	PART NO.	FINISHES	PART NO.	FINISHES
OO	Insignificant finish	IF	Middle Grey	RO	Red
AA	Natural	IJ	Light Grey	UT	T-Met 9007
AB	White	IL	Grey 20	UZ	T-Met
AE	White 9010	IN	Grey met. 26	WA	Bronzed
EA	Black	JB	Bright Aluminium	WI	Burnished
EC	Matt Black	JC	Aluminium - Chrome	XD	Satin-finished Steel
EE	Anthracite	JD	Matt Aluminium	YA	Nickel-plated
EW	Grey 9007	JE	Satin-finished Aluminium	YB	Bright Nickel-plated
FU	Gunmetal	JF	Aluminium - Brass	YC	Matt Nickel-plated
FV	Gunmetal V52	JG	Aluminium 5	YD	Satin-finished Nickel-plated
GR	Raw	JL	Aluminium PE 11	YQ	Black Nickel
HA	Brass-Plated	JM	Aluminium RAL 9006	Z9	Black Zinc
HH	Tropicalized	KA	Chrome	ZA	Zinc alloy
HL	Raw Brass	KB	Bright Chrome	ZN	Zinc-plated
HX	Graphite	KC	Matt Chrome	ZQ	Bright Gold
IA	Grey	LD	Brown 8019	ZY	Titanium
IB	Metallic Grey	NN	Metallic Beige	ZZ	Clear



REKORD 12

REKORD 12 is a concealed leveller to be fixed in the side panels with 18mm minimum thickness. It is suitable to align heavy duty wardrobes, bookcases and modular furniture, as well as for flat-pack furniture.

REKORD 12 is placed into the bottom edge of the side panel and it is then adjustable through a Ø8 mm spot drilled in the inside carcass, by using a S4 mm allen wrench.

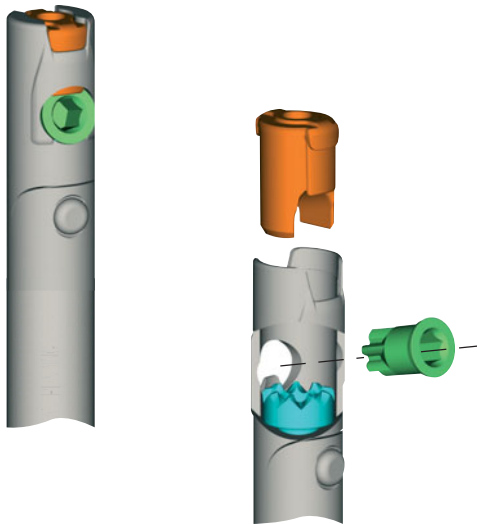
The engineering plastic glide is independent in order to make the adjustment easier and to prevent the scratching of the floor.

It is available in four versions: with hole centres 52, 70, 96 and 120 mm.

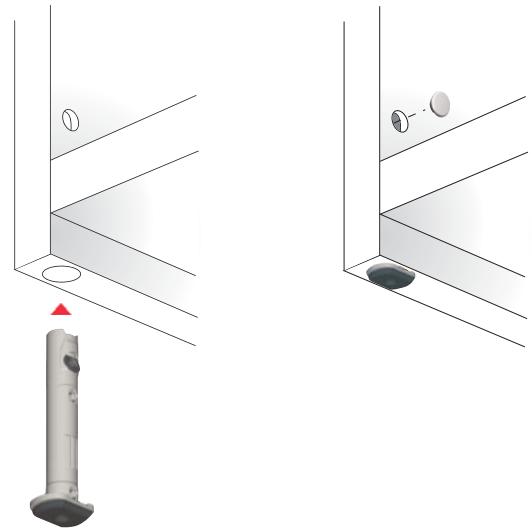
All versions of REKORD 12 grant a capacity loading of 150 Kg each and 12mm adjustment.

The weight transmission ratio of the gears, that is 1:1.5, reduces the lifting effort sensibly.

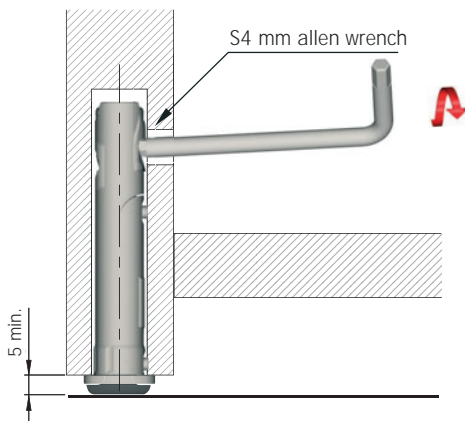
150 Kg per piece



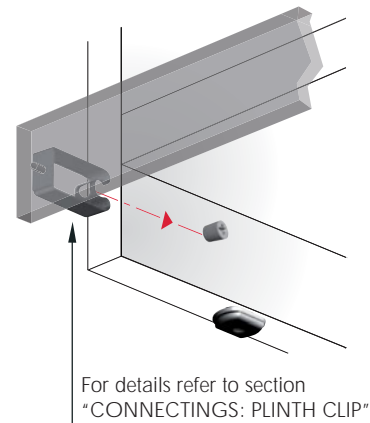
INSTALLATION



ADJUSTMENT

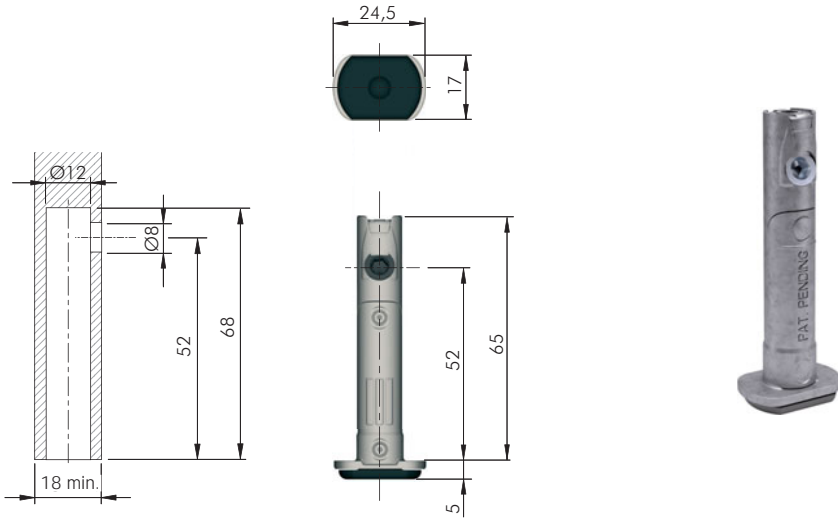


ADJUSTMENT 0 - 12 mm



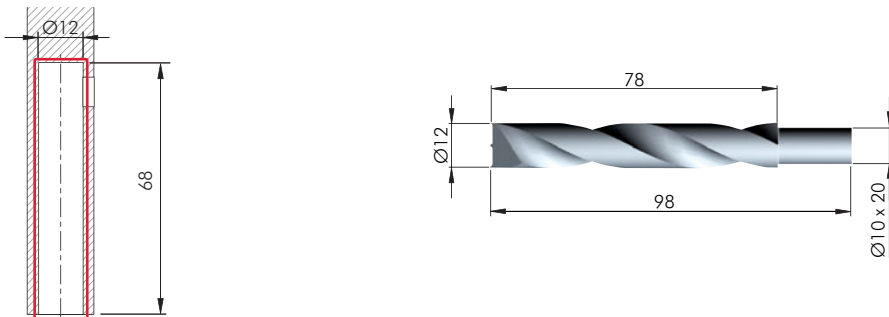


REKORD 12 H 52 mm

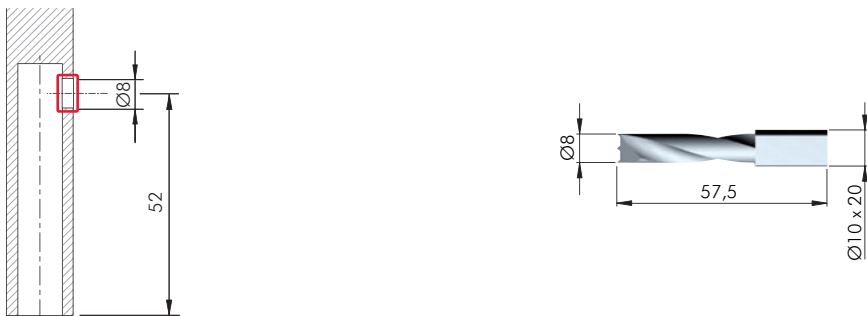


= S4	= 200 pcs.
ZA EP ST	
123	
3030101000	

DRILL BIT FOR REKORD 12 H 52 mm



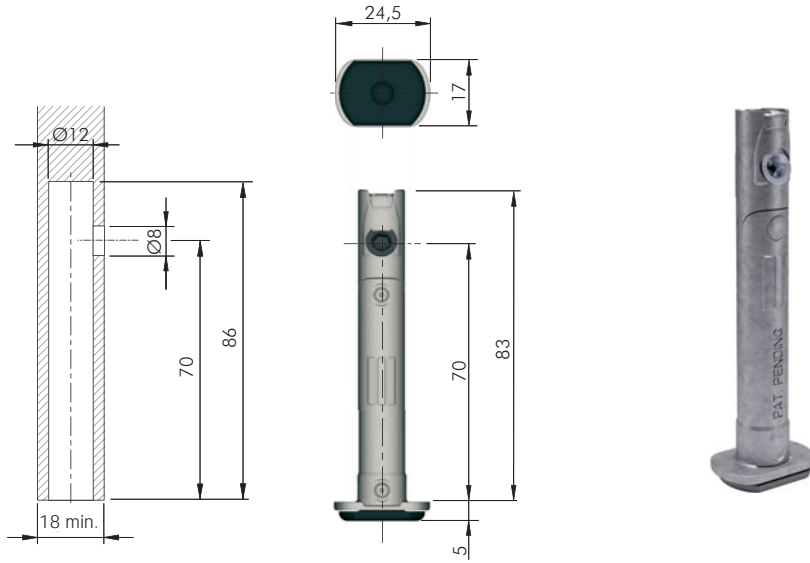
HSS	= on request
123	
3030158000	



HSS	= on request
123	
1145202000	

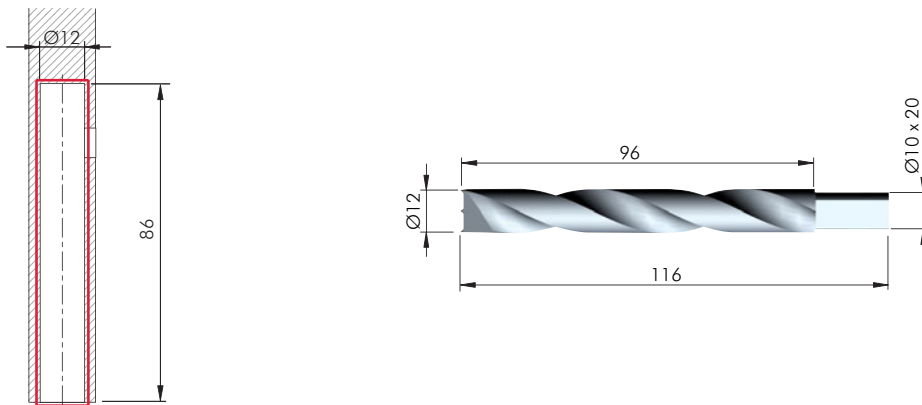


REKORD 12 H 70 mm

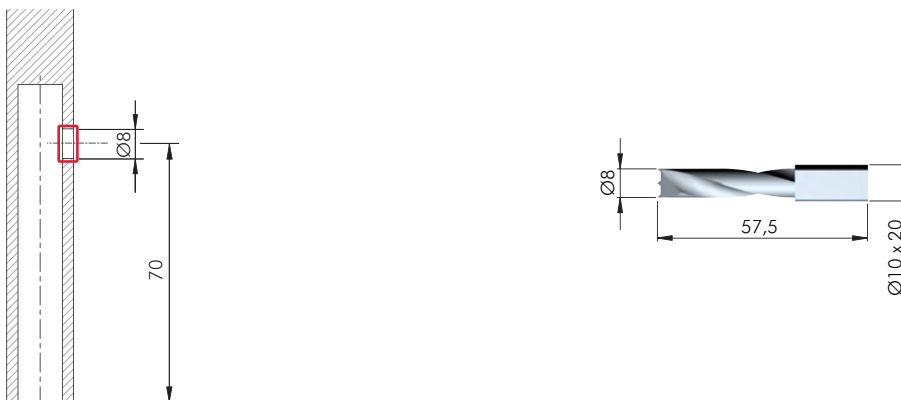


	= S4		= 150 pcs.
3030102000			

DRILL BIT FOR REKORD 12 H 70 mm



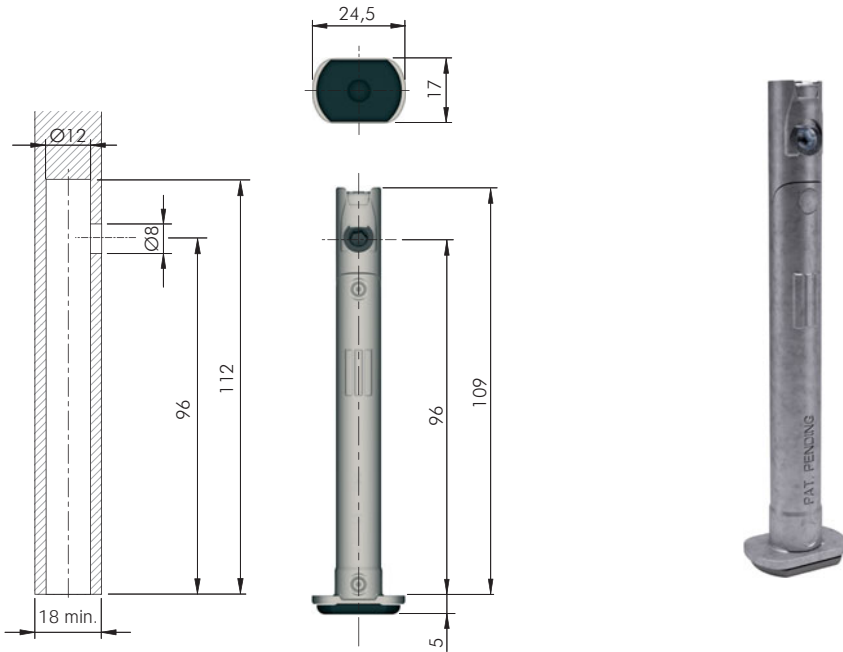
		= on request
3030159000		



		= on request
1145202000		

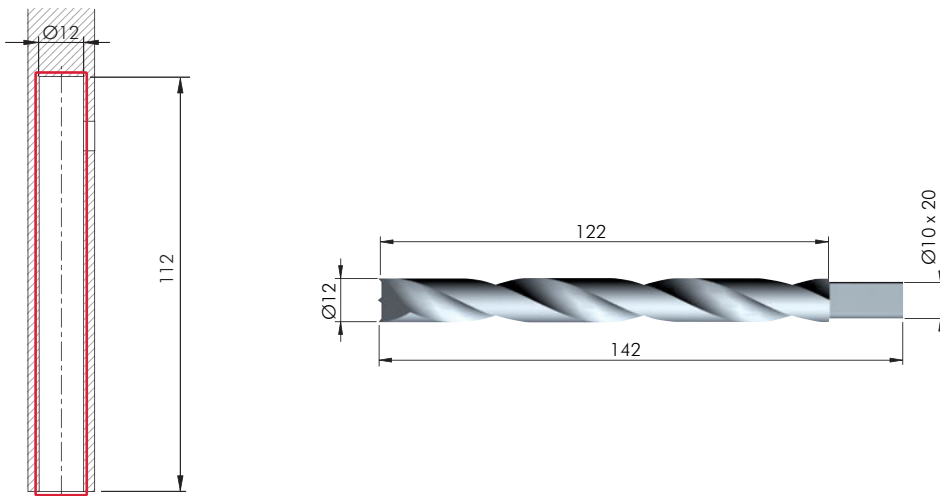


REKORD 12 H 96 mm

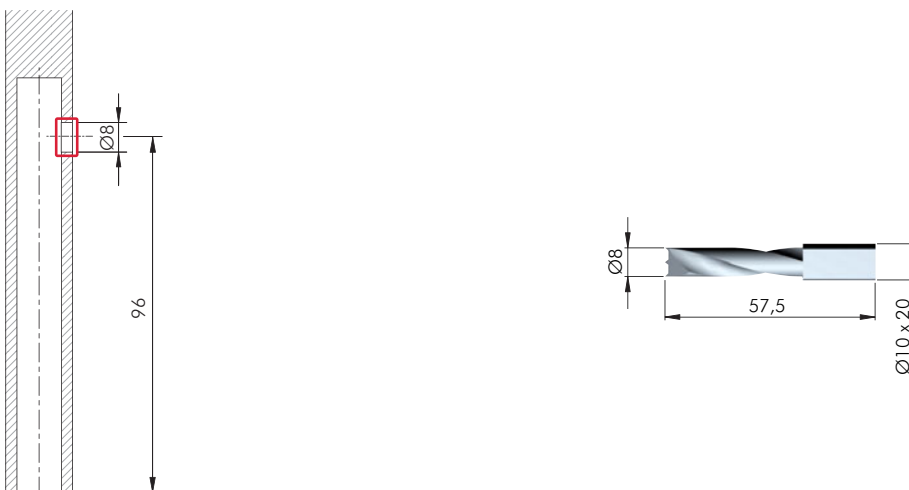


= S4	= 125 pcs.
ZA EP ST	
3030103000	

DRILL BIT FOR REKORD 12 H 96 mm



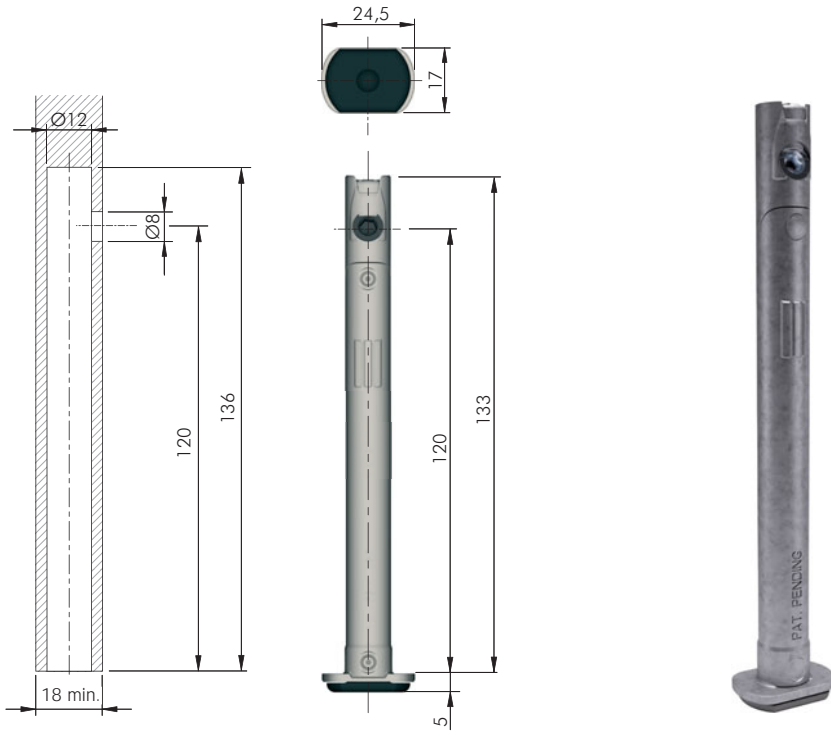
HSS	= on request
3030153000	



HSS	= on request
1145202000	

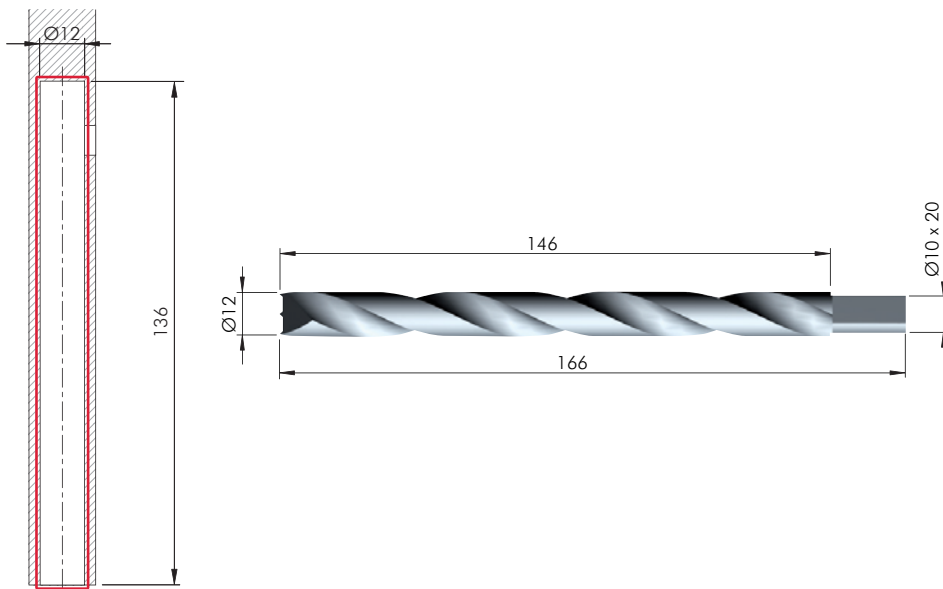


REKORD 12 H 120 mm

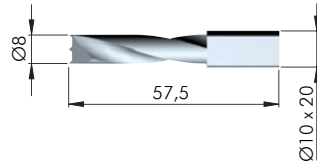
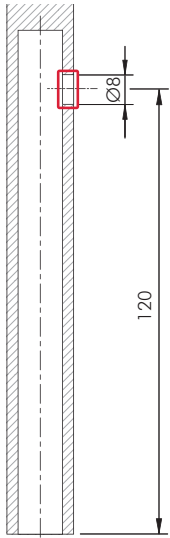


	= S4		= 100 pcs.
ZA	EP	ST	
3030104000			

DRILL BIT FOR REKORD 12 H 120 mm

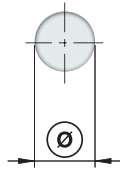
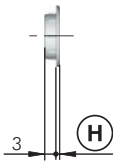
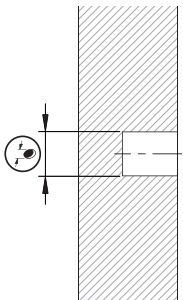


HSS		= on request
3030152000		



HSS	= on request
123	
1145202000	

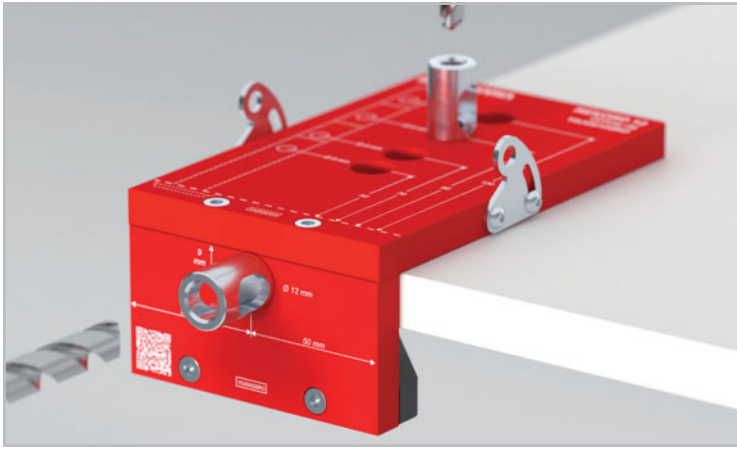
REKORD 12 ACCESSORY



= Ø 8 mm				
EP				
123				
23002010AB	Ø 8	Ø 11	H	5000
			1	

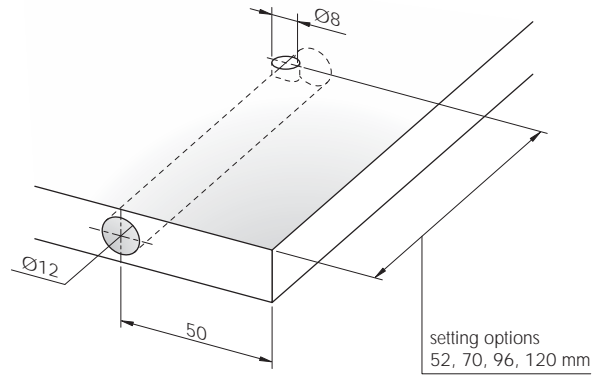
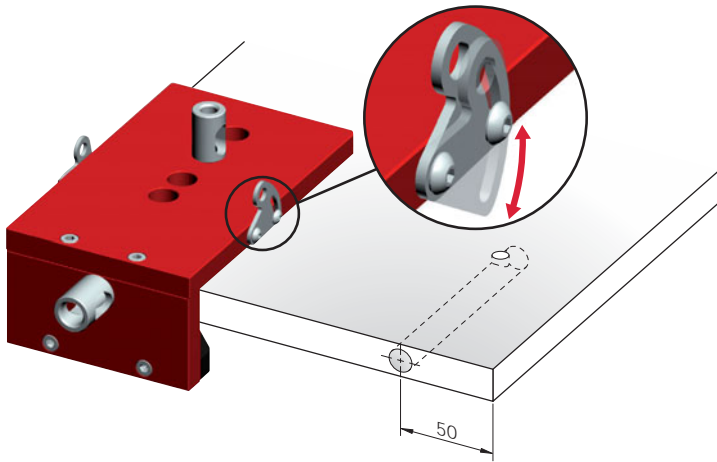


DRILLING JIG FOR REKORD 12

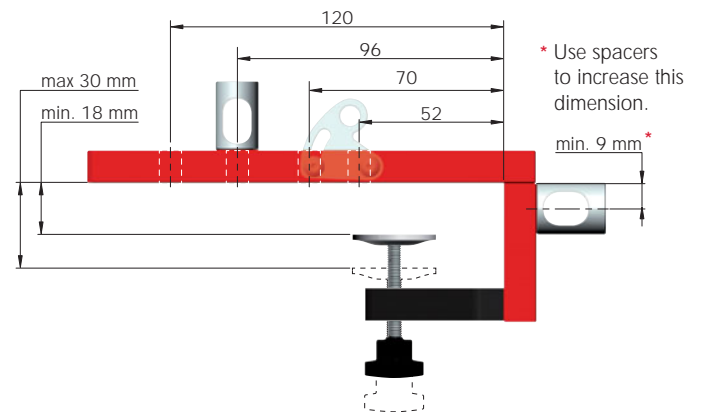
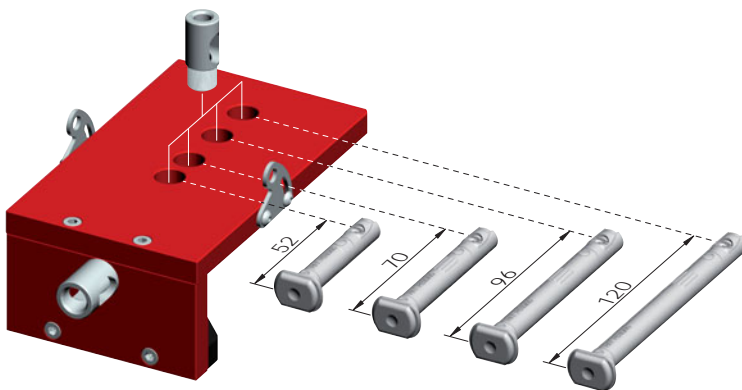


18 - 30 mm

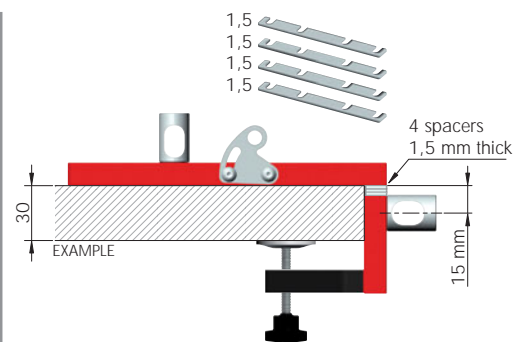
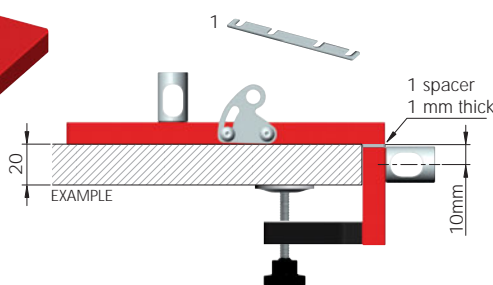
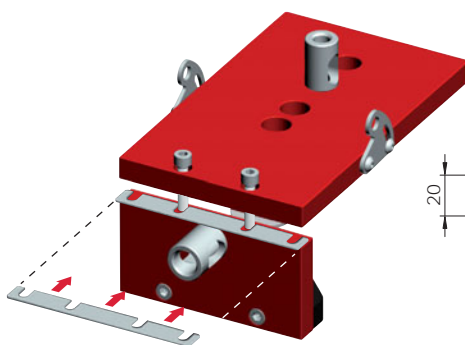
GENERAL SPECIFICATIONS



APPLICATION OPTIONS



DRILLING SPACERS FOR OTHER PANEL THICKNESSES





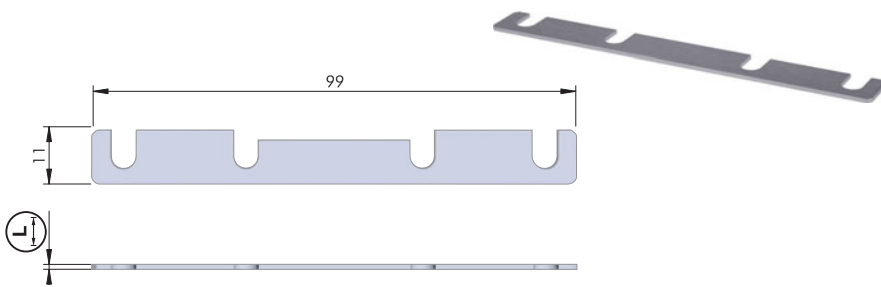
REKORD 12 DRILLING JIG FOR PANEL THICKNESS 18 mm



AL	ST	EP	= on request
Y0JG0120RO			

NOTE: The product code includes all the components shown in the picture.

REKORD 12 DRILLING JIG ACCESSORIES



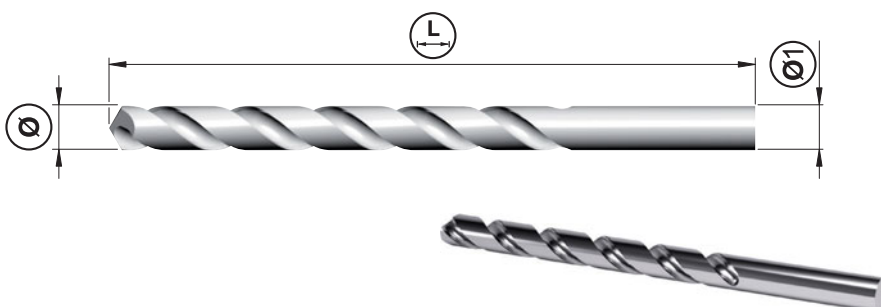
AL	= on request
Y0JG0511GR	1
Y0JG0512GR	1,5

DRILLING JIG DEPTH STOP COLLARS



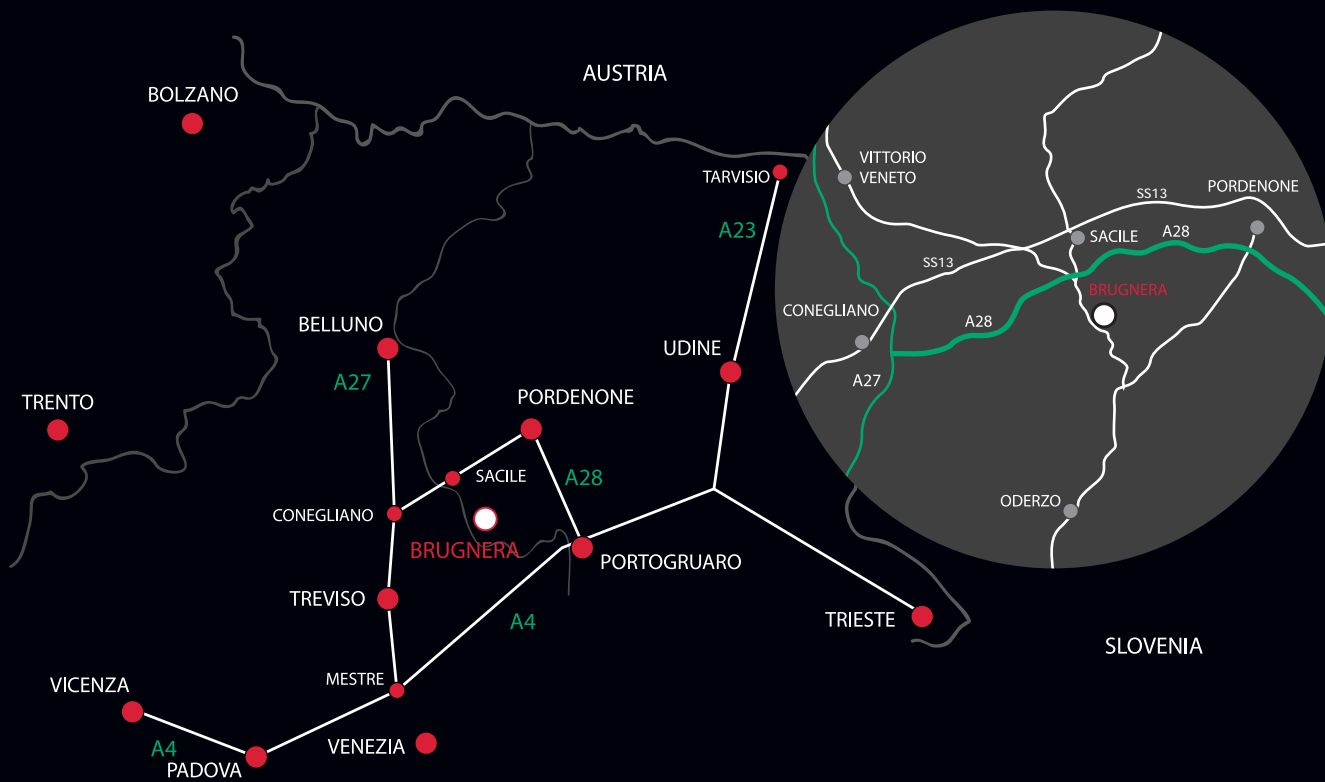
ST	= on request
Y0JG051700	Ø8
Y0JG051900	Ø12

DRILL BIT



HSS	= on request		
Y0JG052800	Ø8	117	Ø8
Y0JG054700	Ø12	205	Ø10

NOTE: For drilling jig we recommend to use precision-ground steel drill bit HSS-G.



www.italianaferramenta.it